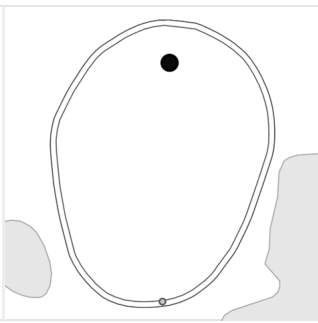
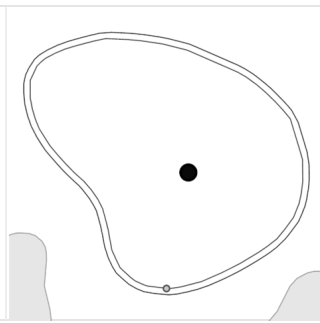


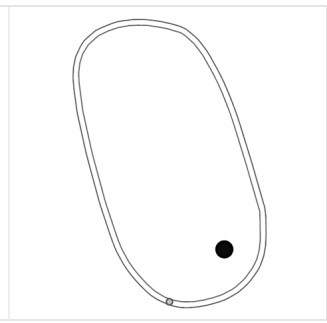
1
+11
D: 31
27

A diagram of a golf hole, hole 1, showing a circular green with a hole in the center. The hole is located near the top edge of the green. There is a small circle at the bottom edge of the green, likely representing the hole's position on the green.

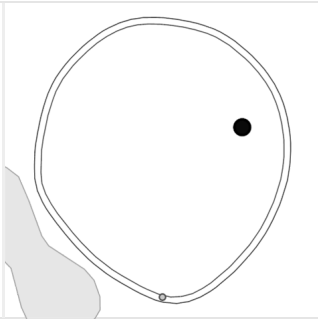
7
-1
D: 26
12

A diagram of a golf hole, hole 7, showing an irregularly shaped green with a hole in the center. There is a small circle at the bottom edge of the green.

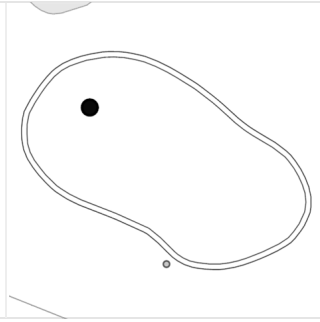
13
-10
D: 32
6 R4

A diagram of a golf hole, hole 13, showing an elongated green with a hole near the right edge. There is a small circle at the bottom edge of the green.

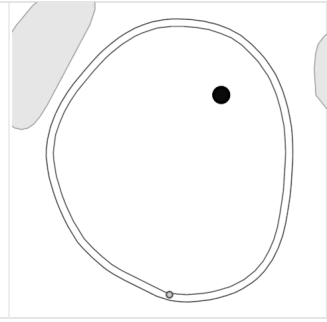
2
+3
D: 27
17 R4

A diagram of a golf hole, hole 2, showing an oval green with a hole on the right side. There is a small circle at the bottom edge of the green.

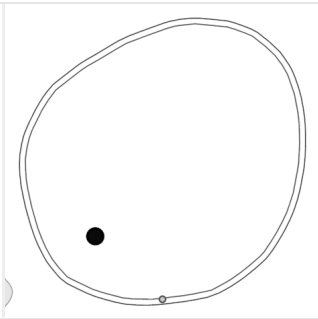
8
+6
D: 25
19 L7

A diagram of a golf hole, hole 8, showing an irregular green with a hole on the left side. There is a small circle at the bottom edge of the green.

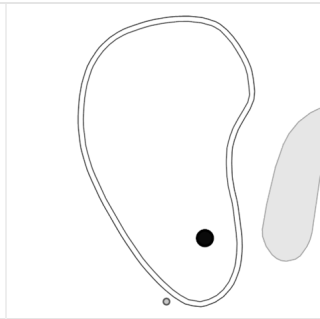
14
+6
D: 24
18 R5

A diagram of a golf hole, hole 14, showing an oval green with a hole on the right side. There is a small circle at the bottom edge of the green.

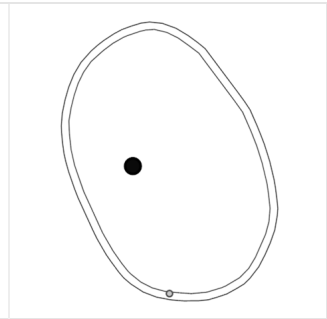
3
-8
D: 31
7 L6

A diagram of a golf hole, hole 3, showing an oval green with a hole on the left side. There is a small circle at the bottom edge of the green.

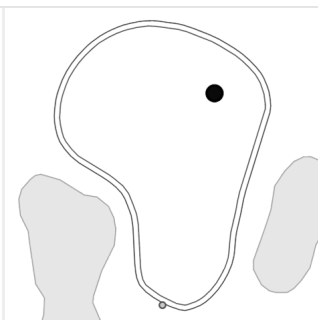
9
-10
D: 35
8 R4

A diagram of a golf hole, hole 9, showing an irregular green with a hole on the right side. There is a small circle at the bottom edge of the green.

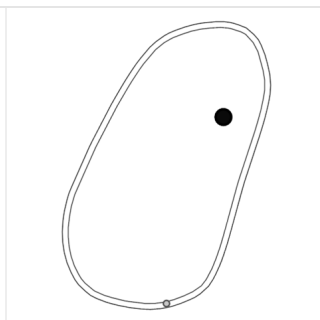
15
0
D: 23
11 L5

A diagram of a golf hole, hole 15, showing an oval green with a hole on the left side. There is a small circle at the bottom edge of the green.

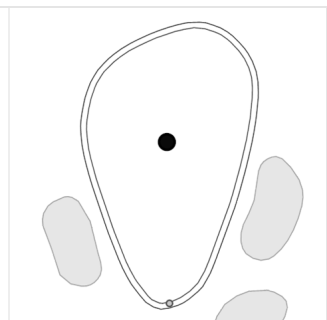
4
+9
D: 34
26 R6

A diagram of a golf hole, hole 4, showing an irregular green with a hole on the right side. There is a small circle at the bottom edge of the green.

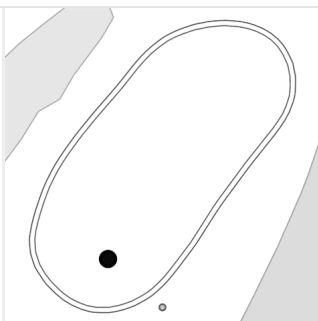
10
+5
D: 31
21 R4

A diagram of a golf hole, hole 10, showing an elongated green with a hole on the right side. There is a small circle at the bottom edge of the green.

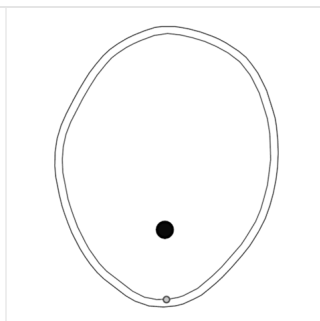
16
+3
D: 31
18

A diagram of a golf hole, hole 16, showing an irregular green with a hole in the center. There is a small circle at the bottom edge of the green.

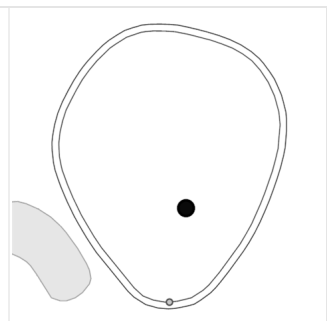
5
-11
D: 35
6

A diagram of a golf hole, hole 5, showing an elongated green with a hole on the left side. There is a small circle at the bottom edge of the green.

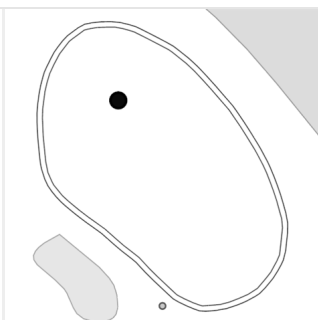
11
-5
D: 23
6

A diagram of a golf hole, hole 11, showing an oval green with a hole in the center. There is a small circle at the bottom edge of the green.

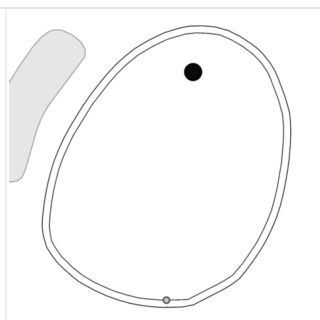
17
-4
D: 26
9 R7

A diagram of a golf hole, hole 17, showing an oval green with a hole in the center. There is a small circle at the bottom edge of the green.

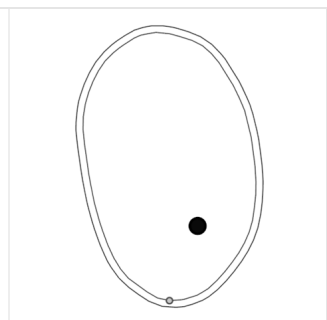
6
+8
D: 34
25 L9

A diagram of a golf hole, hole 6, showing an irregular green with a hole on the left side. There is a small circle at the bottom edge of the green.

12
+9
D: 25
21

A diagram of a golf hole, hole 12, showing an oval green with a hole near the top edge. There is a small circle at the bottom edge of the green.

18
-6
D: 25
7 R5

A diagram of a golf hole, hole 18, showing an oval green with a hole near the bottom edge. There is a small circle at the bottom edge of the green.